

AWWA C508 SWING CHECK VALVE

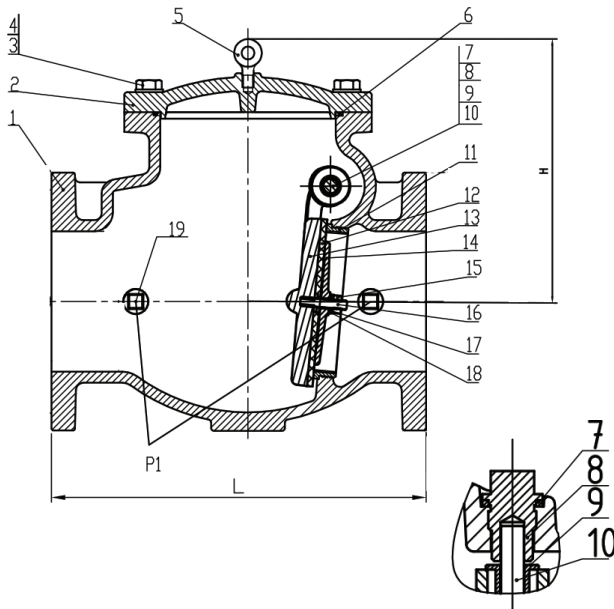
Model 8700

Resilient Seat - 300 psi - Flanged Ends
Clear Waterway



MATERIAL LIST

No.	Description	Material	ASTM Specification
1	Body	Ductile Iron	ASTM, A536 65-45-12
2	Bonnet	Ductile Iron	ASTM, A536 65-45-12
3	Bolts	Carbon Steel-Zinc Plated	-
4	Washer	Carbon Steel Zinc Plated	-
5	Eye Bolt	Carbon Steel Zinc Plated	-
6	O-Ring	NBR	-
7	Washer	PTFE	-
8	Plug	Stainless Steel	AISI, 304
9	Hinge Bushing	Brass	ASTM, B16 C36000
10	Hinge Pin	Stainless Steel	AISI 420
11	Seat Ring	Bronze	ASTM, B62 C83600
12	Seal	EPDM	-
13	Disc	Ductile Iron	ASTM, A536 65-45-12
14	Plate	Stainless Steel (2"~4") Ductile Iron (6"~12")	AISI 420 ASTM, A536 65-45-12
15	Nut	Stainless Steel	AISI 304
16	Bolt	Stainless Steel	AISI 304
17	Spring Washer	Stainless Steel	AISI 304
18	Flat Washer	Stainless Steel	AISI 304
19	Plug	Bronze	ASTM B62/C89833



Description:

- Standard: AWWA C508, MSS SP-136
- Flange drilling to ANSI 125/150. Metric PN10/PN16 drilling is available upon request
- Face to face dimensions conform to ASME B16.10
- Working Temperature:
0°C to 100°C (32°F to 212°F)
- Maximum Working Pressure: 300 psi
- Fusion Bonded Epoxy Coated, Interior and Exterior, AWWA C550

DIMENSIONAL DATA

Nominal Size	Part No.	L	H	Plug Size
2"	8700-F-120	8	5.25	3/8" NPT
2-1/2"	8700-F-125	10	6	3/8" NPT
3"	8700-F-130	11	6	1/2" NPT
4"	8700-F-140	13	9.00	1/2" NPT
6"	8700-F-160	16	12	3/4" NPT
8"	8700-F-180	19.5	14	3/4" NPT
10"	8700-F-200	24.5	16.5	3/4" NPT
12"	8700-F-220	26	18	3/4" NPT

Dimensions in inches

Note: Design and materials subject to change without notice.



WARNING: This product can expose you to chemicals including lead, which is known to the State of California to cause cancer and birth defects or other reproductive harm. For more information go to www.P65Warnings.ca.gov.



United Water Products
8710 Air Park West Drive, Charlotte, NC 28214
TEL. 401-250-3800
Website: www.unitedwaterproducts.com

0823